

SOP16

Video Switcher Series

Triple Circuit Video Switchers

The BA7602F, BA7603F, BA7606F, BA7606FS, BA7607F, BA7609F and BA7627FV video signal switchers feature dual inputs with either 2 or 3 circuits. In addition to bias input and clamp input types, units integrating a pedestal clamp suitable for RGB signal switching are also available ensuring broad compatibility.

Key Features

- Frequency characteristics extending to 20MHz ensure compatibility with a broad range of applications
- High-speed switching (50nsec) possible-perfect for superimposing
- Three input types: clamp, pedestal clamp, and bias

Applications

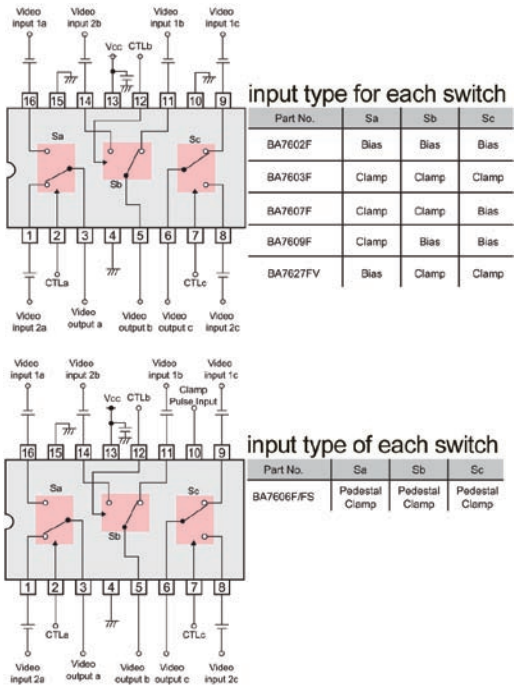
- HDTVs
- Car entertainment/navigation systems
- PCs
- Portable devices

Pricing

Quantity per reel: 3,000 pieces

Price: \$1.42 - \$1.54

Samples: Available now



Part #	Supply Voltage (V)	Circuit Current (mA)	Internal Circuit	Input Type	Gain (dB)	Distortion (%)	Max Output Level (Vpp)	Crosstalk (dB)	Switching Speed (ns)	Package
BA7602F	4.5 to 5.5	14	2-in-3	Bias	0	—	3.1	-65 (4.43MHz)	50	SOP16
BA7603F	4.5 to 5.5	13	2-in-3	Sync-tip clamp	0	—	2.9	-65 (4.43MHz)	50	SOP16
BA7606F	4.5 to 5.5	15	2-in-3	Pedestal clamp	0	—	2.6	-65 (4.43MHz)	50	SOP16
BA7606FS	4.5 to 5.5	12.5	2-in-3	Pedestal clamp	0	—	2.6	-65 (4.43MHz)	50	SSOP-A16
BA7607F	4.5 to 5.5	12.5	2-in-3	Sync-tip clamp 2, bias 1	0	0.007	3.0	-65 (4.43MHz)	50	SOP16
BA7609F	4.5 to 5.5	12.5	2-in-3	Sync-tip clamp 1, bias 2	0	0.007	3.0	-65 (4.43MHz)	50	SOP16
BA7627FV	4.5 to 5.5	12.5	2-in-3	Sync-tip clamp 2, bias 1	0	0.007	3.0	-65 (4.43MHz)	50	SSOP-B16

More info

<http://www.rohm.com/products/lsi/video/video/se14/>

See our full lineup: <http://www.rohm.com/products/lsi/video/video/switch/>

Visit us at www.rohmsemiconductor.com

